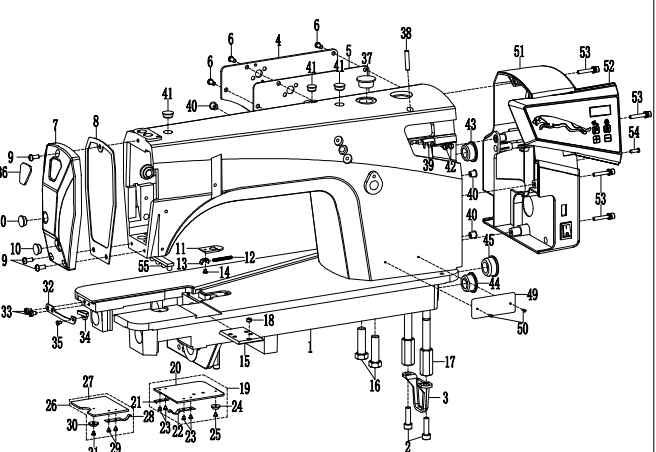


零件图册 Parts Manual

1. 机壳分组件 Arm bed components



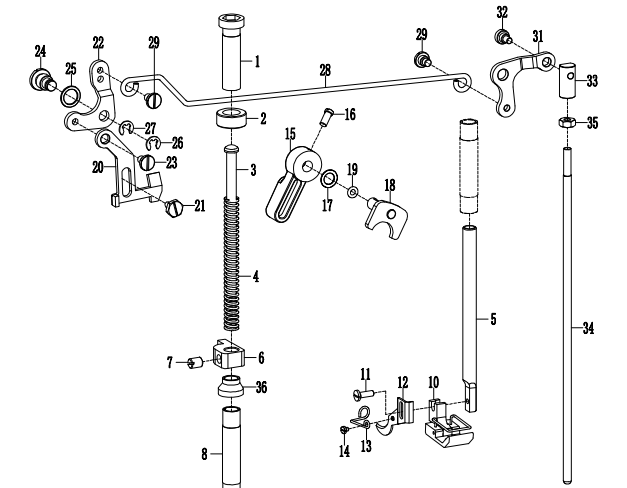
1. 机壳分组件 Arm bed components

Table with 5 columns: Ref.No, Part No, 名称 (Name), Description, 数量 (Quantity), QTY. Lists various parts like arm bed complete, bed support, and various screws.

2. 上轴杆分组件 Main shaft & needle bar components

Table with 5 columns: 序号 (Ref.No), 件号 (Part No), 名称 (Name), Description, 数量 (Quantity), QTY. Lists main shaft bushing, needle bar, and various adjustment pins.

3. 压杆分组件 Presser bar components



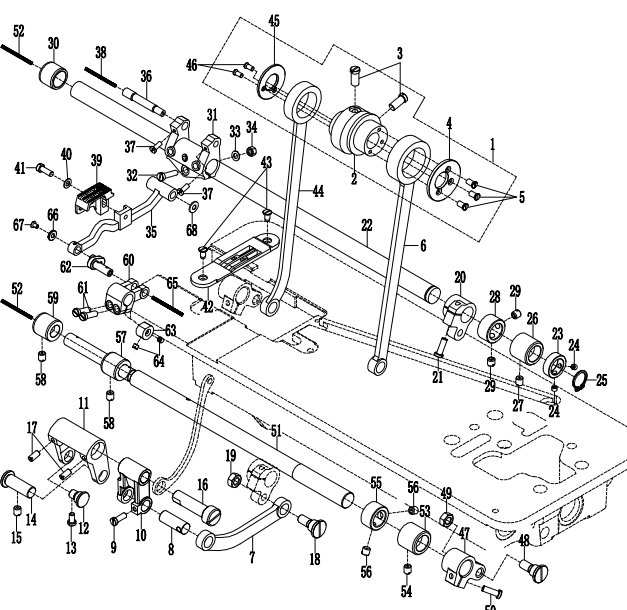
3. 压杆分组件 Presser bar components

Table with 5 columns: 序号 (Ref.No), 件号 (Part No), 名称 (Name), Description, 数量 (Quantity), QTY. Lists presser spring regulator, presser bar guide bar, and various presser bar parts.

2. 上轴杆分组件 Main shaft & needle bar components

Table with 5 columns: 序号 (Ref.No), 件号 (Part No), 名称 (Name), Description, 数量 (Quantity), QTY. Lists motor stator, motor rotor, and main shaft parts.

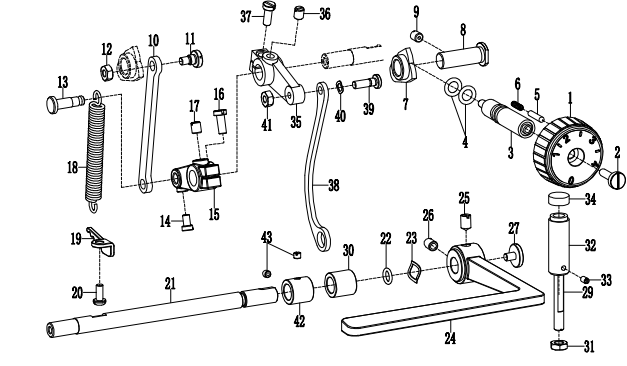
4. 送料分组件 Feed mechanism components



4. 送料分组件 Feed mechanism components

Table with 5 columns: 序号 (Ref.No), 件号 (Part No), 名称 (Name), Description, 数量 (Quantity), QTY. Lists feed eccentric cam, feed roller, and various feed mechanism parts.

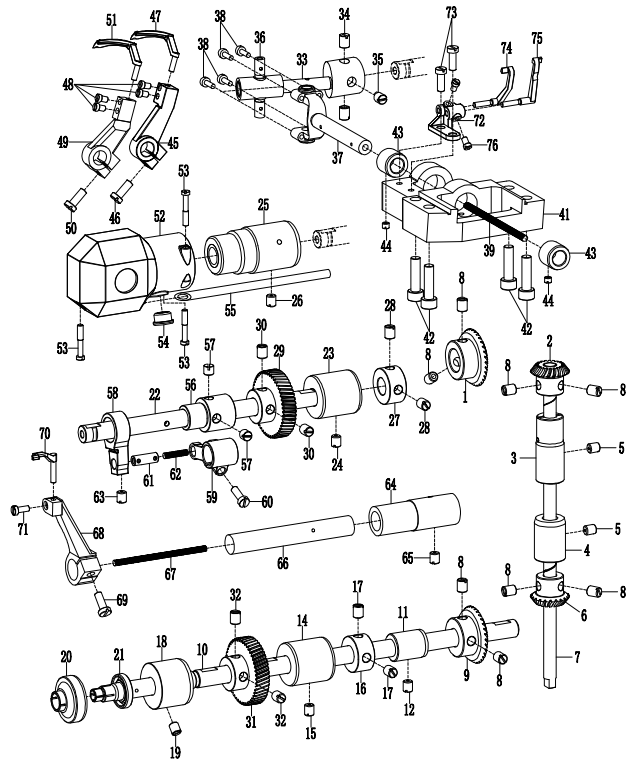
5. 送料调节分组件 Feed regulating components



5. 送料调节分组件 Feed regulating components

Table with 5 columns: 序号 (Ref.No), 件号 (Part No), 名称 (Name), Description, 数量 (Quantity), QTY. Lists stitch dial assembly, feed regulating screw, and various feed regulation parts.

6. 穿引勾线分组件 Looper thread retainer components



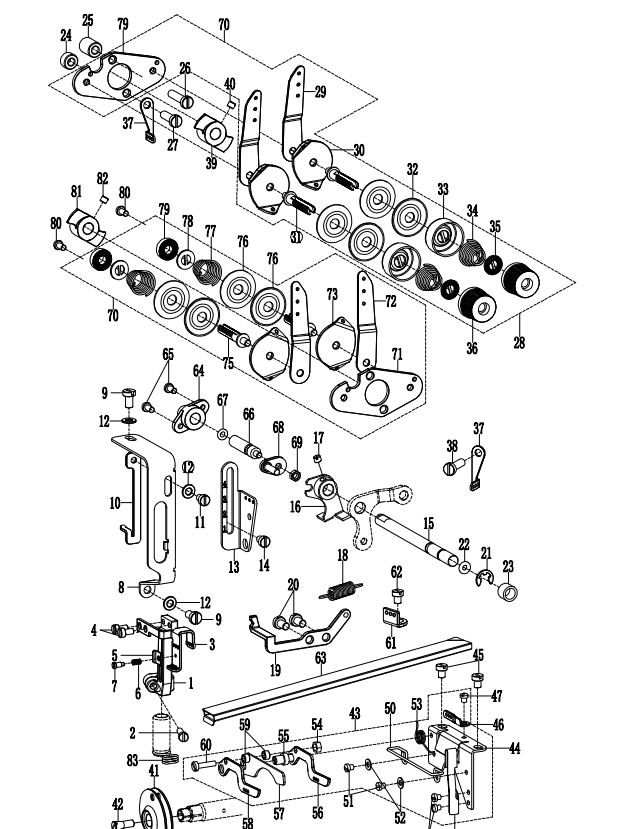
6. 穿引勾线分组件 Looper thread retainer components

Table with 5 columns: 序号 (Ref.No), 件号 (Part No), 名称 (Name), Description, 数量 (Quantity), QTY. Lists gear assembly, thrust collar, and various looper thread retainer parts.

6. 穿引勾线分组件 Looper thread retainer components

Table with 5 columns: 序号 (Ref.No), 件号 (Part No), 名称 (Name), Description, 数量 (Quantity), QTY. Lists screw, bushing, and various looper thread retainer parts.

7. 裁线、装线、失线分组件 Thread take-up, tension, and tension releasing assembly complete



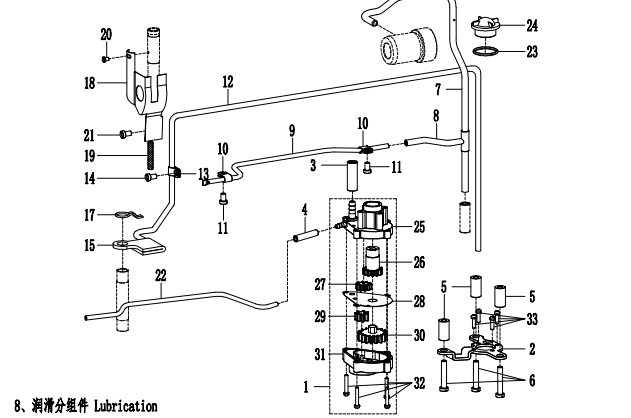
7. 裁线、装线、失线分组件 Thread take-up, tension, and tension releasing assembly complete

Table with 5 columns: 序号 (Ref.No), 件号 (Part No), 名称 (Name), Description, 数量 (Quantity), QTY. Lists thread take-up lever, tension release lever, and various thread tensioning parts.

7. 拔线、张线、张线分组件 Thread take-up, tension, and tension releasing assembly complete

Table with 5 columns: Ref.No., Part No., Name, Description, QTY. Lists parts for thread take-up and tension assembly including screws, guides, and springs.

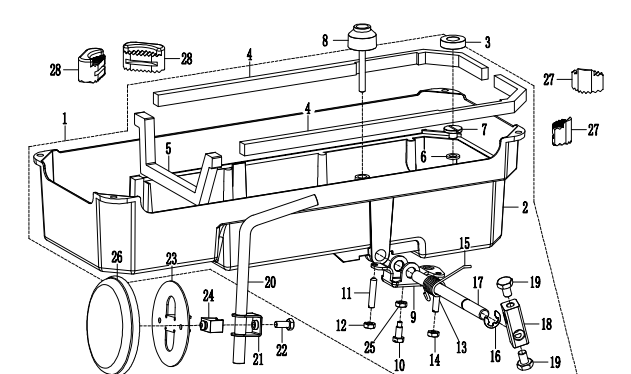
8. 润滑分组件 Lubrication



8. 润滑分组件 Lubrication

Table with 5 columns: Ref.No., Part No., Name, Description, QTY. Lists lubrication components like oil pump, tank, and various tubes.

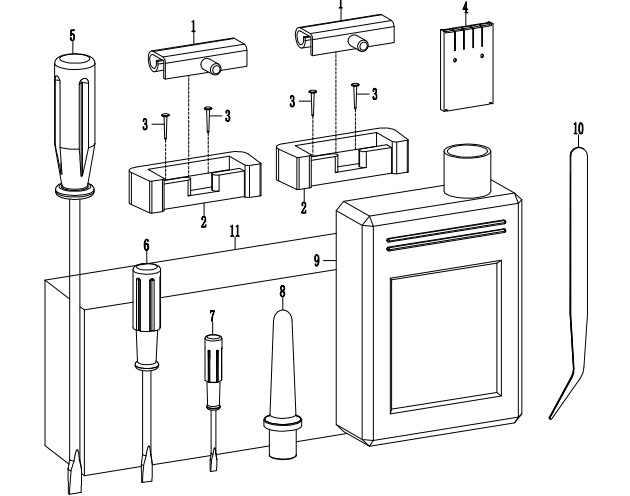
9. 油箱、膝脚压脚分组件 Oil reservoir & knee lifter components



9. 油箱、膝脚压脚分组件 Oil reservoir & knee lifter components

Table with 5 columns: Ref.No., Part No., Name, Description, QTY. Lists parts for oil reservoir and knee lifter including oil reservoir, lifter rod, and various fasteners.

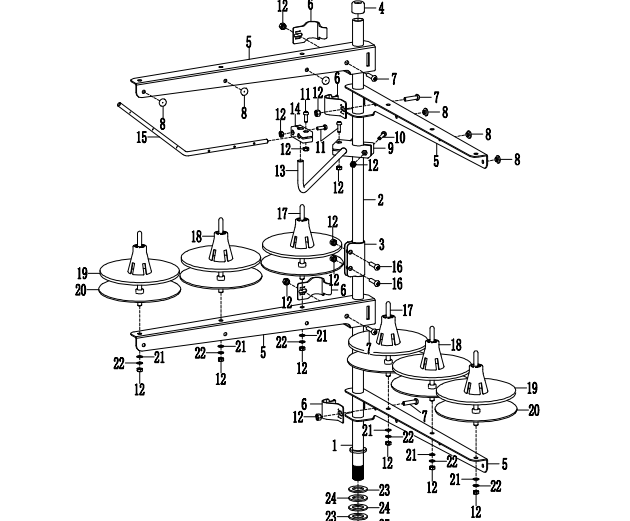
10. 机头附件 Machine head accessories



10. 机头附件 Machine head accessories

Table with 5 columns: Ref.No., Part No., Name, Description, QTY. Lists machine head accessories like tensioning tools, needles, and guides.

11. 过线架分组件 Thread stand components



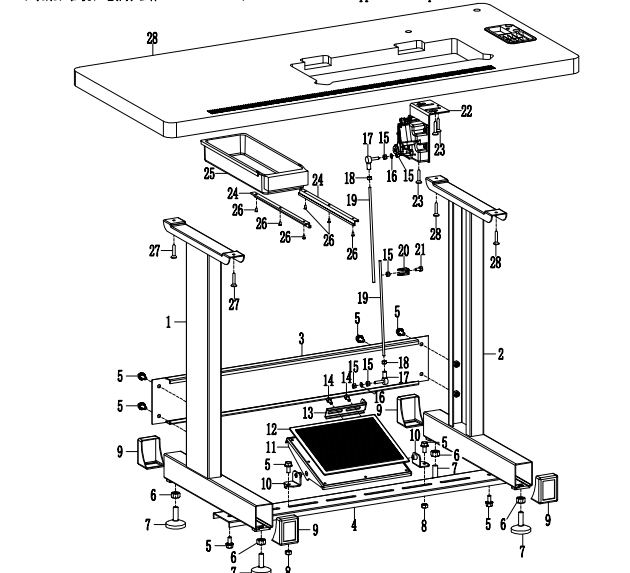
11. 过线架分组件 Thread stand components

Table with 5 columns: Ref.No., Part No., Name, Description, QTY. Lists thread stand components including rollers, guides, and stand frame parts.

11. 过线架分组件 Thread stand components

Table with 5 columns: Ref.No., Part No., Name, Description, QTY. Lists thread stand components including soft cushion, oil reservoir, and various fasteners.

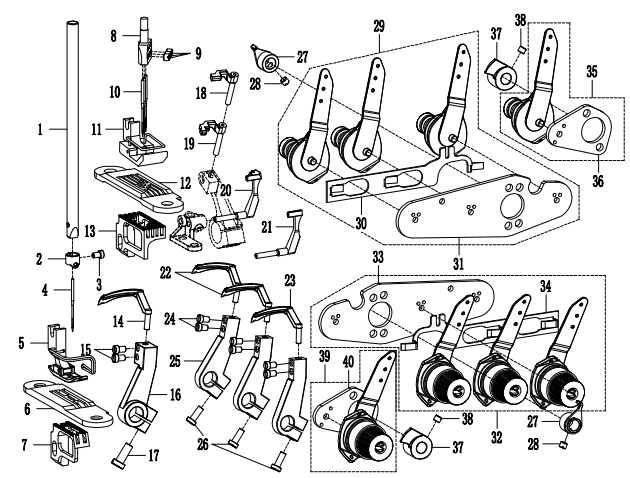
12. 机架、台板、电器分组件 Machine stand, table & electric appliance components



12. 机架、台板、电器分组件 Machine stand, table & electric appliance components

Table with 5 columns: Ref.No., Part No., Name, Description, QTY. Lists machine stand and electrical appliance components like stand side, table top, and electrical parts.

13. 单针、三针专用零件



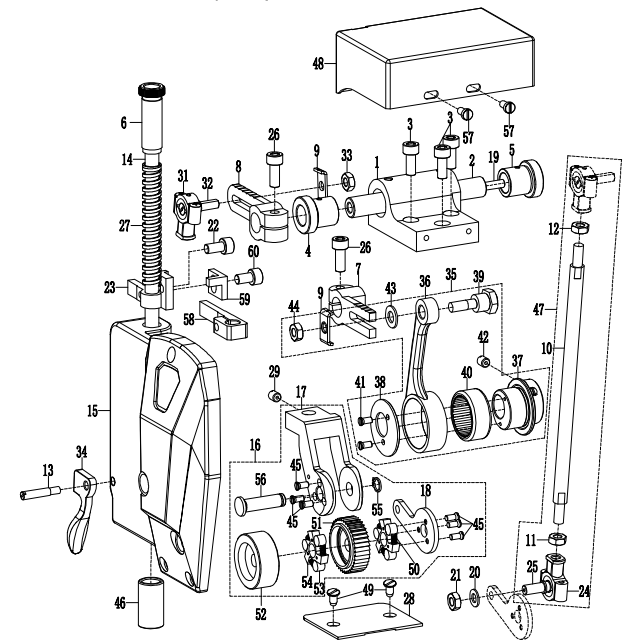
13. 单针、三针专用零件

Table with 5 columns: Ref.No., Part No., Name, Description, QTY. Lists single needle and three-needle specific parts like needles, guides, and rollers.

13. 单针、三针专用零件

Table with 5 columns: Ref.No., Part No., Name, Description, QTY. Lists single needle and three-needle specific parts like counter needle guards and washers.

14. 直驱轴轮装置部分 Direct drive tughtost components



14. 直驱轴轮装置部分 Direct drive tughtost components

Table with 5 columns: Ref.No., Part No., Name, Description, QTY. Lists direct drive tughtost components including puller base, shafts, rollers, and guides.

13. 单针、三针专用零件

Table with 5 columns: Ref.No., Part No., Name, Description, QTY. Lists single needle and three-needle specific parts with detailed descriptions for various components like rollers, guides, and needles.

地址：浙江台州温岭市新河镇绣路
Add: Jingxiu Rd, Xinhe Town, Taizhou,
Zhejiang, China

资料如有变更, 恕不另行通知, 以实物为准。